

SONY

Car Stereo

CSA-14

Service Bulletin

Sony Service Company - Technical Services
A Division of Sony Electronics Inc.
Sony Drive, Park Ridge, New Jersey 07656

Model: GEN-CAR

No. 302

Subject: Availability Of Cassette Hanger And Cassette Holder.

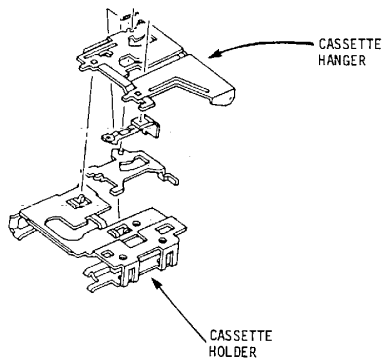
Date: October 19, 1993

Symptom:
(**)

The cassette hanger and cassette holder for MG-36 series and MG-38 series mechanical decks are available from the National Parts Center. The type of mechanical deck used in any particular model can be found on the front cover of the service manual.

Solution: These parts can be ordered as shown below.

REF	DESCRIPTION	PART NUMBER
-	HANGER, CASSETTE	3-375-383-01
-	HOLDER, CASSETE	3-375-384-01



Reference:
Autoflagged - NO



PRINTED IN USA
CSA-141093-